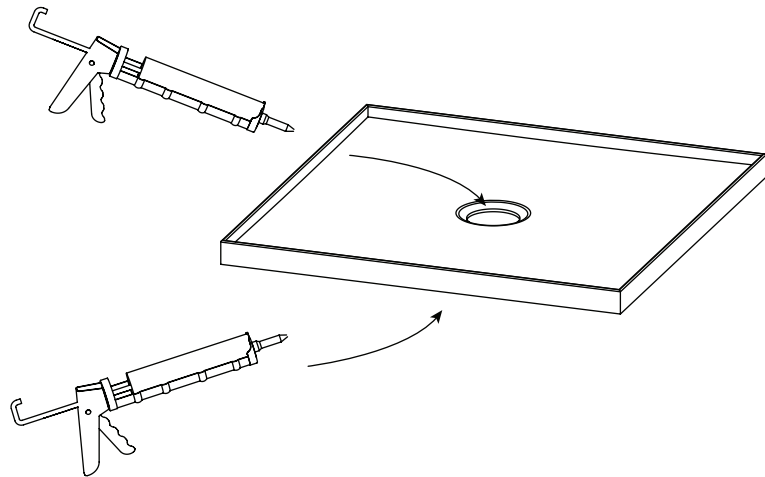


Easy Clean Waste Installation Instructions – Acrylic Tray

It is the responsibility of the installer to ensure a perfect water seal under the inner ring by way of a suitable silicone sealant.

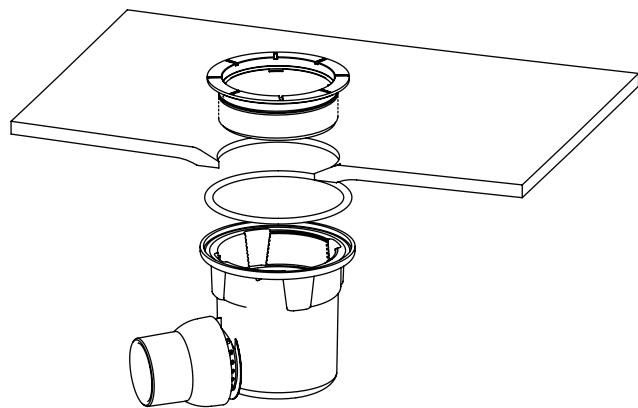
1. Apply a generous bead of silicone sealer around the top and underside of the waste hole in the tray.

Showrwell recommend De Bravern NO Silicone, or other brands of NG Silicone

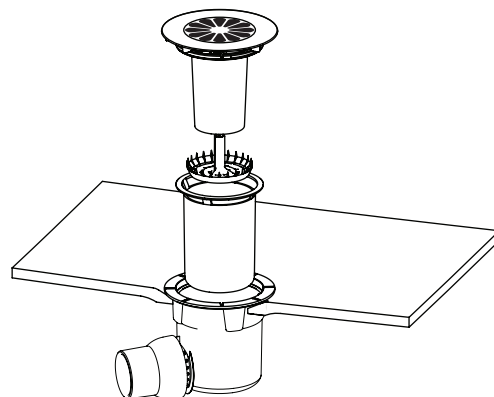


2. Insert the inner ring and into the waste body. Hand tighten only. Excess tightening may distort the inner ring causing the warranty to be void.

Remove any excess silicone sealant.



3. Install inner cup and lid. Rotate while pressing downwards until the lid engages and clicks into place.



This Easy Clean Waste has a two year warranty from date of purchase.
Should a fault in materials or workmanship be proven, a replacement will be supplied at no charge.