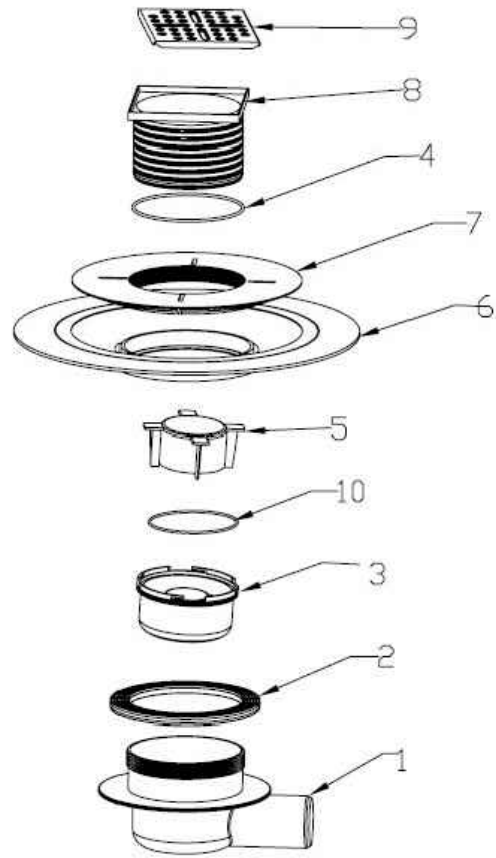
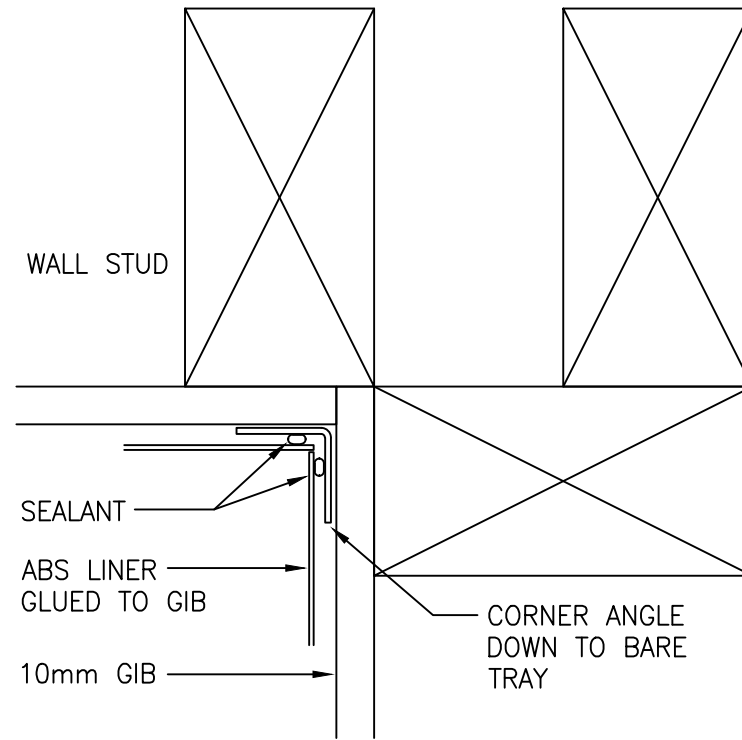


**BASE OPTIONS**

SCALE 1:25

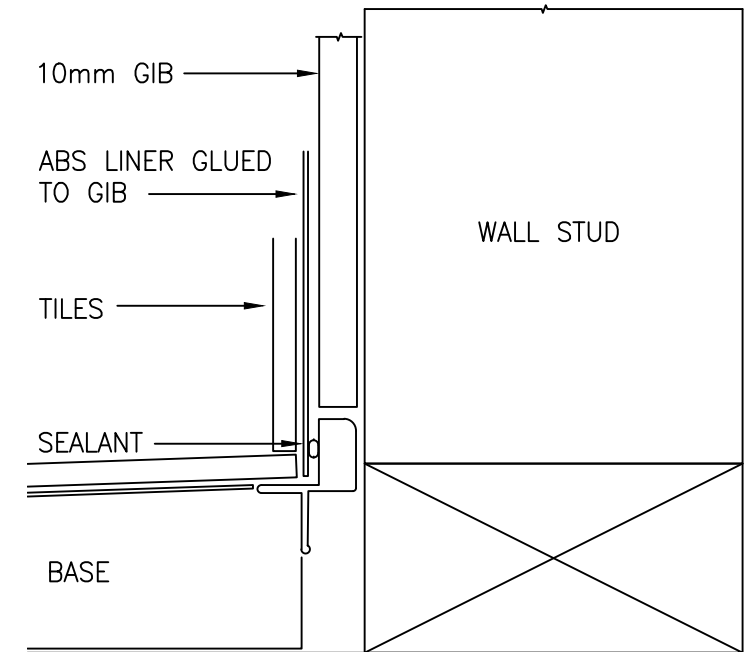


**WASTE COMPONENTS**



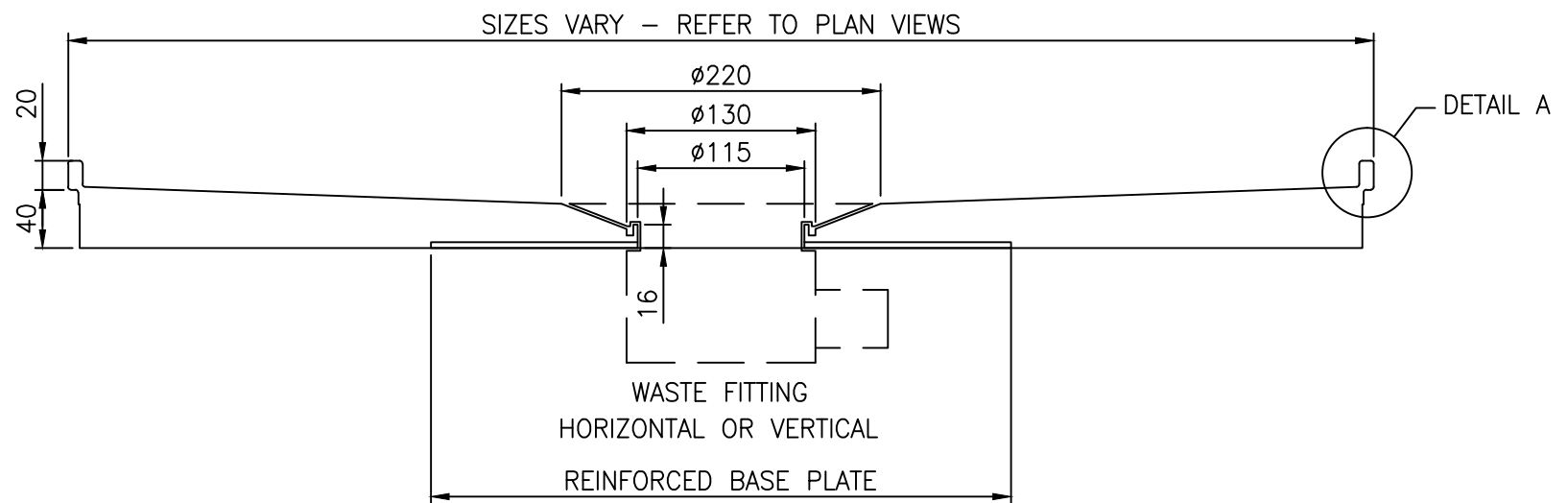
**PLAN AT VERTICAL CORNER**

SCALE 1:2



**DETAIL A**

SCALE 1:2



**SECTION THROUGH BASE**

SCALE 1:5